

Dimensions and Outputs

Height	8"	12"	16"		20"		24"		36"
Type	22	22	11	22	11	22	11	22	22
Length	BTU/h	BTU/h	BTU/h	BTU/h	BTU/h	BTU/h	BTU/h	BTU/h	BTU/h
16"	--	1747	1290	2160	1576	2685	1853	3125	4388
24"	2126	2620	1938	3238	2368	4026	2777	4692	6582
36"	3187	3934	2907	4859	3552	6039	4169	7036	9874
48"	4248	5244	3873	6479	4732	8052	5558	9380	--
64"	5664	6991	5166	8639	6312	10738	7411	12505	--
72"	6374	7865	5811	9717	7100	12078	8336	14071	--

Output at 190° F Supply, 170° F Return and 68° F Room Temperature

For outputs at different temperatures (and a complete list of available radiator sizes through DiaNorm by special order), please refer to the interactive Excel Spread provided for download under "Downloads" on our website:

<http://www.heatlines.com/downloads.html> (first list item under Purmo Dianorm Panel Radiators)

Open the downloaded file in Excel and type in the desired temperature in the yellow highlighted boxes on top of the spread sheet. Then hit "return" and the new results will be displayed in the table.

Water Content in Gal/ft

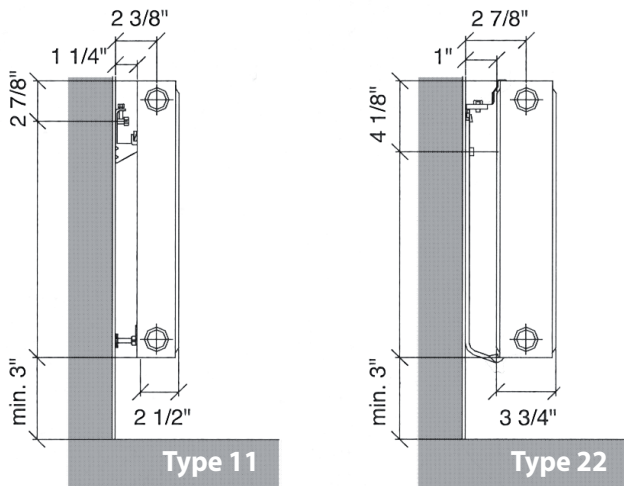
Type / Height	8"	12"	16"	20"	24"	36"
11	-	0.12	0.18	0.23	0.27	0.36
22	0.20	0.27	0.36	0.44	0.53	0.69

Weight in lbs/ft

Type / Height	8"	12"	16"	20"	24"	36"
11	-	6.05	8.47	10.82	13.10	19.55
22	9.14	10.95	15.91	18.61	22.44	34.07

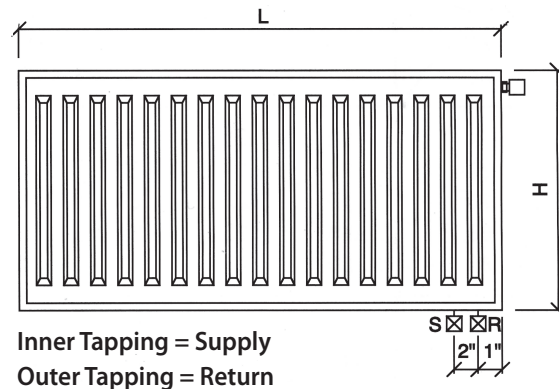
Rough-In Dimensions for Type 11 and Type 22

Type 11 radiators require blocking 2 7/8" from top of radiator



Other model types upon request

Delivery includes Bottom Tappings, Thermostatic Radiator Valve with Flow Setter (Oventrop GH[®]), Vent Plug, and Mounting Brackets



Purmo DiaNorm Radiators
of Purmo DiaNorm Wärme AG
D-38690 Vienenburg
Germany
Brought to you by: